



3-Channel SDTV Video Amplifier with 5th-Order Filters and 5.2-V/V Gain

FEATURES

- Three SDTV Video Amplifiers for CVBS, S-Video, Y'P'B'R 480i/576i, Y'U'V', or G'B'R' (R'G'B')
- Integrated Low-Pass Filters:
 - 5th-Order, 8.5-MHz (–3dB) Butterworth
 - –1dB Passband Bandwidth at 7 MHz
 - 47 dB Attenuation at 27 MHz
- Versatile Input Biasing:
 - DC-Coupled with 230-mV Output Shift
 - AC-Coupled with Sync-Tip Clamp
 - Allows AC-Coupled With DC-Biasing
- Built-in 5.2 V/V Gain (14.3 dB)
- +3-V to +5-V Single Supply Operation
- Rail-to-Rail Output:
 - Output Swings Within 100 mV of the Rails, Allowing AC- or DC-Output Coupling
 - Supports Driving Two Lines per Channel
- Low Total Quiescent Current: 15.6 mA at 3.3 V
- Low Differential Gain/Phase of 0.2%/0.3°
- Lead-free, Green SOIC-8 Package

APPLICATIONS

- Set Top Box Output Video Buffering
- PVR/DVDR Output Buffering
- USB/Portable Low-Power Video Buffering

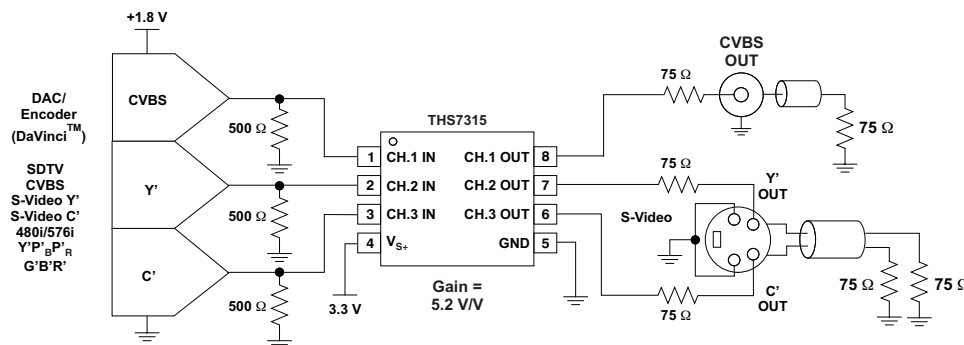
DESCRIPTION

Fabricated using the revolutionary complementary silicon-germanium (SiGe) BiCom3 process, the THS7315 is a low-power, single-supply, 3-V to 5-V 3-channel integrated video buffer. It incorporates a 5th-order Butterworth filter that is useful as a digital-to-analog converter (DAC) reconstruction filter or an analog-to-digital converter (ADC) anti-aliasing filter. The 8.5-MHz filter is a perfect choice for SDTV video, including Composite Video Baseband Signals (CVBS), S-Video, Y'U'V', G'B'R' (R'G'B'), and Y'P'B'R 480i/576i.

The THS7315 inputs can be either ac- or dc-coupled. The 230-mV output level shift allows for a full sync dynamic range at the output with 0 V input. The ac-coupled modes include a transparent sync-tip clamp option for CVBS, Y', and G'B'R' signals with bottom-level sync. AC-coupled biasing for C'/P'B/P'R channels can easily be achieved by adding an external resistor to V_{S+} .

The THS7315 is the perfect choice for all output buffer applications. Its rail-to-rail output stage with 5.2-V/V gain allows for both ac and dc line driving, making it a perfect choice for DaVinci™ processors. The ability for each channel to drive two video lines, or 75-Ω loading, allows for maximum flexibility as a video line driver. The 15.6-mA quiescent current at 3.3 V also makes it an excellent choice for USB-powered, portable, or other power-sensitive video applications.

The THS7315 is available in a small SOIC-8 package that is lead-free and compliant with green requirements.



3.3-V Single-Supply DC-Input/DC-Output Coupled Video Line Driver



Please be aware that an important notice concerning availability, standard warranty, and use in critical applications of Texas Instruments semiconductor products and disclaimers thereto appears at the end of this data sheet.

DaVinci is a trademark of Texas Instruments.
All other trademarks are the property of their respective owners.



This integrated circuit can be damaged by ESD. Texas Instruments recommends that all integrated circuits be handled with appropriate precautions. Failure to observe proper handling and installation procedures can cause damage.

ESD damage can range from subtle performance degradation to complete device failure. Precision integrated circuits may be more susceptible to damage because very small parametric changes could cause the device not to meet its published specifications.

PACKAGING/ORDERING INFORMATION⁽¹⁾

PACKAGED DEVICES	PACKAGE TYPE	TRANSPORT MEDIA, QUANTITY
THS7315D	SOIC-8	Rails, 75
THS7315DR		Tape and reel, 2500

(1) For the most current package and ordering information, see the Package Option Addendum at the end of this document, or see the TI website at www.ti.com.

ABSOLUTE MAXIMUM RATINGS⁽¹⁾

Over operating free-air temperature range (unless otherwise noted)

		THS7315	UNIT
Supply voltage, V_{S+} to GND		5.5	V
V_I	Input voltage	-0.4 to V_{S+}	V
I_O	Output current	± 90	mA
Continuous power dissipation		See Dissipation Ratings Table	
T_J	Maximum junction temperature, any condition ⁽²⁾	+150	°C
T_J	Maximum junction temperature, continuous operation, long term reliability ⁽³⁾	+125	°C
T_{stg}	Storage temperature range	-65 to +150	°C
ESD ratings	HBM	2000	V
	CDM	1500	
	MM	200	

(1) Stresses above those listed under absolute maximum ratings may cause permanent damage to the device. These are stress ratings only, and functional operation of the device at these or any other conditions beyond those indicated under *recommended operating conditions* is not implied. Exposure to absolute maximum rated conditions for extended periods may degrade device reliability.

(2) The absolute maximum junction temperature under any condition is limited by the constraints of the silicon process.

(3) The absolute maximum junction temperature for continuous operation is limited by the package constraints. Operation above this temperature may result in reduced reliability and/or lifetime of the device.

DISSIPATION RATINGS

PACKAGE	θ_{JC} (°C/W)	θ_{JA} (°C/W)	POWER RATING ⁽¹⁾ ($T_J = +125^\circ\text{C}$)	
			$T_A = +25^\circ\text{C}$	$T_A = +85^\circ\text{C}$
SOIC-8 (D)	16.8	130 ⁽²⁾	769 mW	308 mW

(1) Power rating is determined with a junction temperature of +125°C. This temperature is the point where performance starts to degrade and long-term reliability starts to be reduced. Thermal management of the final printed circuit board (PCB) should strive to keep the junction temperature at or below +125°C for best performance and reliability.

(2) This data was taken with the JEDEC High-K test PCB. For the JEDEC low-K test PCB, the θ_{JA} is 196°C/W.

RECOMMENDED OPERATING CONDITIONS

		MIN	NOM	MAX	UNIT
V_{S+}	Supply voltage	3		5	V
T_A	Ambient temperature	-40		+85	°C

ELECTRICAL CHARACTERISTICS: $V_{S+} = 3.3\text{ V}$
 $R_L = 150\Omega$ to GND, unless otherwise noted. See [Figure 1](#) and [Figure 2](#).

PARAMETER	TEST CONDITIONS	TYP	OVER TEMPERATURE				UNIT	MIN/MAX/ TYP
		+25°C	+25°C	0°C to +70°C	–40°C to +85°C			
AC PERFORMANCE								
Small-signal bandwidth (–3 dB)	$V_O = 0.2 V_{PP}$ ⁽¹⁾	8.5	6.8/10.4	6.7/10.5	6.6/10.6	MHz	Min/Max	
Large-signal bandwidth (–3 dB)	$V_O = 2 V_{PP}$ ⁽¹⁾	8.5	6.8/10.4	6.7/10.5	6.6/10.6	MHz	Min/Max	
Passband bandwidth (–1dB)		7.0				MHz	Typ	
Attenuation (with respect to 100 kHz)	$f = 6\text{ MHz}$ ⁽²⁾	0.25	–0.3/2.4	–0.35/2.5	–0.4/2.6	dB	Min/Max	
	$f = 27\text{ MHz}$ ⁽²⁾	47	36	35	34	dB	Min	
Group delay	$f = 100\text{ kHz}$	61				ns	Typ	
Group delay variation (with respect to 100 kHz)	$f = 5.1\text{ MHz}$	12				ns	Typ	
Channel-to-channel delay		0.3				ns	Typ	
Differential gain	NTSC/PAL	0.2/0.2				%	Typ	
Differential phase	NTSC/PAL	0.25/0.35				degrees	Typ	
Total harmonic distortion	$f = 1\text{ MHz}$, $V_O = 2 V_{PP}$, ac-coupled I/O	–62				dB	Typ	
Signal-to-noise ratio	NTC-7 weighting, 100 kHz to 4.2 MHz	73				dB	Typ	
Channel-to-channel crosstalk	$f = 1\text{ MHz}$, output-referred	–65				dB	Typ	
AC gain, all channels		14.3	14/14.6	14/14.6	14/14.6	dB	Min/Max	
Output impedance	$f = 1\text{ MHz}$	0.8				Ω	Typ	
DC PERFORMANCE								
Biased output voltage	$V_{IN} = 0\text{ V}$	230	80/390	68/415	48/420	mV	Min/Max	
Input voltage range	DC input, limited by output	–0.1/0.56				V	Typ	
Sync tip clamp charge current	$V_{IN} = -0.1\text{ V}$	200				μA	Typ	
Input resistance		800				k Ω	Typ	
Input capacitance		2				pF	Typ	
OUTPUT CHARACTERISTICS								
High output voltage swing	$R_L = 150\ \Omega$ to 1.65 V	3.15				V	Typ	
	$R_L = 150\ \Omega$ to GND	3.10	2.85	2.75	2.75	V	Min	
	$R_L = 75\ \Omega$ to 1.65 V	3.10				V	Typ	
	$R_L = 75\ \Omega$ to GND	3.0				V	Typ	
Low output voltage swing	$R_L = 150\ \Omega$ to 1.65 V ($V_{IN} = -0.15\text{ V}$)	0.15				V	Typ	
	$R_L = 150\ \Omega$ to GND ($V_{IN} = -0.15\text{ V}$)	0.05	0.13	0.14	0.14	V	Max	
	$R_L = 75\ \Omega$ to 1.65 V ($V_{IN} = -0.15\text{ V}$)	0.26				V	Typ	
	$R_L = 75\ \Omega$ to GND ($V_{IN} = -0.15\text{ V}$)	0.1				V	Typ	
Output current	Sourcing	$R_L = 10\ \Omega$ to 1.65 V	80				mA	Typ
	Sinking		70				mA	Typ
POWER SUPPLY								
Maximum operating voltage		3.3	5.5	5.5	5.5	V	Max	
Minimum operating voltage		3.3	2.85	2.85	2.85	V	Min	
Maximum quiescent current	$V_{IN} = 0\text{ V}$	15.6	20	22	24	mA	Max	
Minimum quiescent current	$V_{IN} = 0\text{ V}$	15.6	12	11.6	11	mA	Min	
Power supply rejection (+PSRR)		43				dB	Typ	

(1) The Min/Max values listed for this specification are specified by design and characterization only.

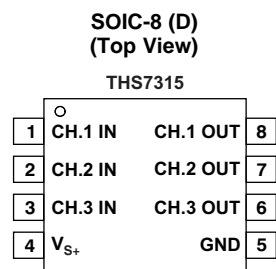
(2) 3.3-V supply filter specifications are specified by 100% testing at 5-V supply along with design and characterization only.

ELECTRICAL CHARACTERISTICS: $V_{S+} = 5\text{ V}$
 $R_L = 150\Omega$ to GND, unless otherwise noted. See [Figure 1](#) and [Figure 2](#).

PARAMETER	TEST CONDITIONS	TYP	OVER TEMPERATURE				UNIT	MIN/MAX/ TYP
		+25°C	+25°C	0°C to +70°C	-40°C to +85°C			
AC PERFORMANCE								
Small-signal bandwidth (-3 dB)	$V_O - 0.2 V_{PP}^{(1)}$	8.5	6.8/10.4	6.7/10.5	6.6/10.6	MHz	Min/Max	
Large-signal bandwidth (-3 dB)	$V_O - 2 V_{PP}^{(1)}$	8.5	6.8/10.4	6.7/10.5	6.6/10.6	MHz	Min/Max	
Passband bandwidth (-1dB)		7.0				MHz	Typ	
Attenuation (with respect to 100 kHz)	$f = 6\text{ MHz}$	0.25	-0.3/2.4	-0.35/2.5	-0.4/2.6	dB	Min/Max	
	$f = 27\text{ MHz}$	47	36	35	34	dB	Min	
Group delay	$f = 100\text{ kHz}$	61				ns	Typ	
Group delay variation (with respect to 100 kHz)	$f = 5.1\text{ MHz}$	11				ns	Typ	
Channel-to-channel delay		0.3				ns	Typ	
Differential gain	NTSC/PAL	0.2/0.2				%	Typ	
Differential phase	NTSC/PAL	0.3/0.35				degrees	Typ	
Total harmonic distortion	$f = 1\text{ MHz}$, $V_O = 2 V_{PP}$, ac-coupled I/O	-61				dB	Typ	
Signal-to-noise ratio	NTC-7 weighting, 100 kHz to 4.2 MHz	73				dB	Typ	
Channel-to-channel crosstalk	$f = 1\text{ MHz}$, output-referred	-65				dB	Typ	
AC gain, all channels		14.3	14/14.6	14/14.6	14/14.6	dB	Min/Max	
Output impedance	$f = 1\text{ MHz}$	0.8				Ω	Typ	
DC PERFORMANCE								
Bias output voltage	$V_{IN} = 0\text{ V}$	235	80/390	68/415	48/420	mV	Min/Max	
Input voltage range	Limited by output	-0.1/0.9				V	Typ	
Sync tip clamp charge current	$V_{IN} = -0.1\text{ V}$	200				μA	Typ	
Input resistance		800				k Ω	Typ	
Input capacitance		2				pF	Typ	
OUTPUT CHARACTERISTICS								
High output voltage swing	$R_L = 150\ \Omega$ to 2.5 V	4.85				V	Typ	
	$R_L = 150\ \Omega$ to GND	4.7	4.4	4.3	4.25	V	Min	
	$R_L = 75\ \Omega$ to 2.5 V	4.8				V	Typ	
	$R_L = 75\ \Omega$ to GND	4.5				V	Typ	
Low output voltage swing	$R_L = 150\ \Omega$ to 2.5 V ($V_{IN} = -0.15\text{ V}$)	0.2				V	Typ	
	$R_L = 150\ \Omega$ to GND ($V_{IN} = -0.15\text{ V}$)	0.05	0.14	0.16	0.18	V	Max	
	$R_L = 75\ \Omega$ to 2.5 V ($V_{IN} = -0.15\text{ V}$)	0.35				V	Typ	
	$R_L = 75\ \Omega$ to GND ($V_{IN} = -0.15\text{ V}$)	0.07				V	Typ	
Output current	Sourcing	$R_L = 10\ \Omega$ to 2.5 V	90				mA	Typ
	Sinking		85				mA	Typ
POWER SUPPLY								
Maximum operating voltage		5	5.5	5.5	5.5	V	Max	
Minimum operating voltage		5	2.85	2.85	2.85	V	Min	
Maximum quiescent current	$V_{IN} = 0\text{ V}$	16.5	22	24	25	mA	Max	
Minimum quiescent current	$V_{IN} = 0\text{ V}$	16.5	12.5	12	11.5	mA	Min	
Power supply rejection (+PSRR)		44				dB	Typ	

(1) The Min/Max values listed for this specification are specified by design and characterization only.

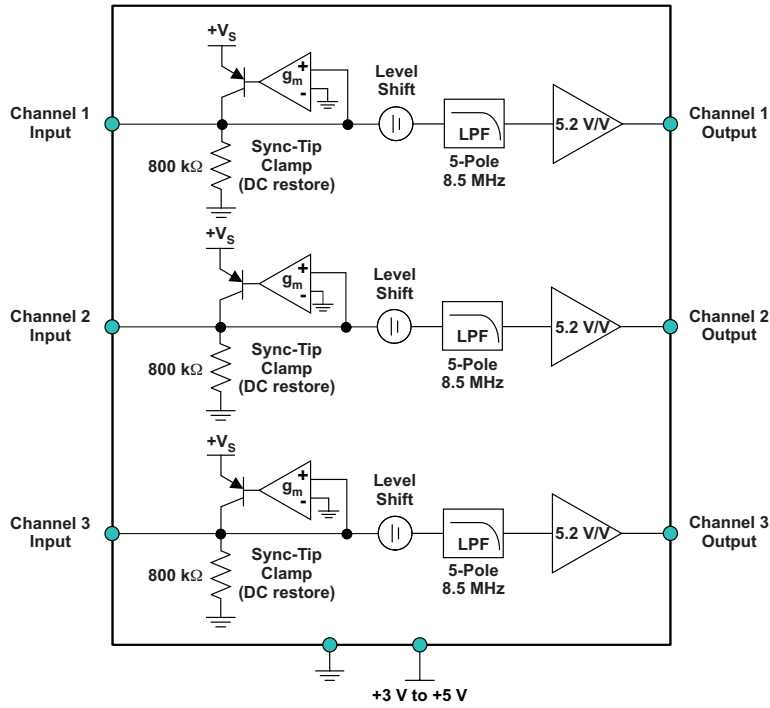
PIN CONFIGURATION



TERMINAL FUNCTIONS

TERMINAL		I/O	DESCRIPTION
NAME	NO. (SOIC-8)		
CH. 1 IN	1	I	Video Input, Channel 1
CH. 2 IN	2	I	Video Input, Channel 2
CH. 3 IN	3	I	Video Input, Channel 3
V _{S+}	4	I	Positive Power Supply Pin. Connect to 3 V to 5 V.
GND	5	I	Ground pin for all internal circuitry.
CH. 3 OUT	6	O	Video Output, Channel 3
CH. 2 OUT	7	O	Video Output, Channel 2
CH. 1 OUT	8	O	Video Output, Channel 1

FUNCTIONAL BLOCK DIAGRAM



TEST CIRCUITS

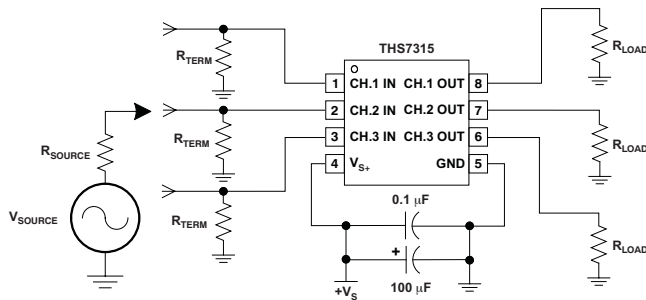


Figure 1. DC-Coupled Input and Output Test Circuit

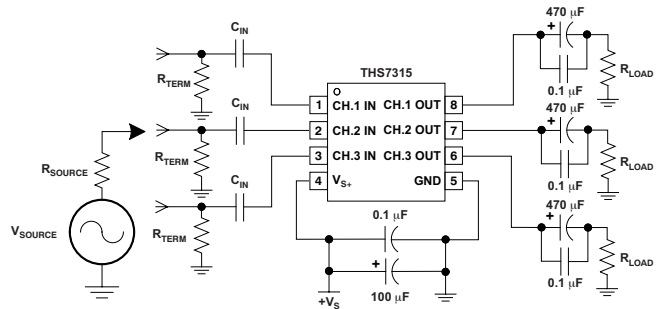


Figure 2. AC-Coupled Input and Output Test Circuit

APPLICATION INFORMATION

The THS7315 is targeted for standard definition (SD) video output buffer applications. Although it can be used for numerous other applications, the needs and requirements of the video signal are the most important design parameters of the THS7315. Built on the revolutionary complementary silicon-germanium (SiGe) BiCom3 process, the THS7315 incorporates many features not typically found in integrated video parts while consuming very low power.

The THS7315 has the following features:

- Single-supply 3-V to 5-V operation with low total quiescent current of 15.6 mA at 3.3 V and 16.5 mA at 5 V.
- Input configuration accepting dc + level-shift, ac sync-tip clamp, or ac bias selection; ac-biasing is accomplished with the use of an external pull-up resistor to the positive power supply.
- 5th-order low-pass filter for DAC reconstruction or ADC image rejection:
 - 8.5-MHz for NTSC, PAL, SECAM, Composite (CVBS), S-Video Y'C', 480i/576i Y'P'B'P'R , and G'B'R' (R'G'B') signals.
- Internal fixed gain of 5.2 V/V (+14.3 dB) buffer that can drive up to two video lines per channel with dc coupling or traditional ac coupling.
- Signal flow-through configuration using an 8-pin SOIC package that complies with the latest lead-free (RoHS compatible) and green manufacturing requirements.

OPERATING VOLTAGE

The THS7315 is designed to operate from 3 V to 5 V over a -40°C to $+85^{\circ}\text{C}$ temperature range. The impact on performance over the entire temperature range is negligible because of the implementation of thin film resistors and high-quality, low temperature coefficient capacitors. The design of the THS7315 allows operation down to 2.85 V, but for best results, the use of a 3 V or greater supply should be used to ensure there are no issues with headroom or clipping.

A 0.1- μF to 0.01- μF capacitor should be placed as close as possible to the power-supply pins. Failure to do so may result in the THS7315 outputs ringing or oscillating. Additionally, a large capacitor, such as 22 μF to 100 μF , should be placed on the power-supply line to minimize interference with 50-Hz/60-Hz line frequencies.

INPUT VOLTAGE

The THS7315 input range allows for an input signal range from -0.3 V to approximately $(V_{S+} - 1.5\text{V})$. However, because of the internal fixed gain of 5.2 V/V (+14.3 dB) and the internal level shift that shifts the output by 230 mV, the output is generally the limiting factor for the allowable linear input range. For example, with a 5-V supply, the linear input range is from -0.3 V to $+3.5\text{ V}$. As a result of the gain and level shift, the linear output range limits the allowable linear input range from about -0.1 V to $+2.3\text{ V}$.

APPLICATION INFORMATION (continued)

INPUT OVERVOLTAGE PROTECTION

The THS7315 is built using a very high-speed complementary bipolar and CMOS process. The internal junction breakdown voltages are relatively low for these very small geometry devices. These breakdowns are reflected in the [Absolute Maximum Ratings](#) table. All input and output device pins are protected with internal ESD protection diodes to the power supplies, as shown in [Figure 3](#).

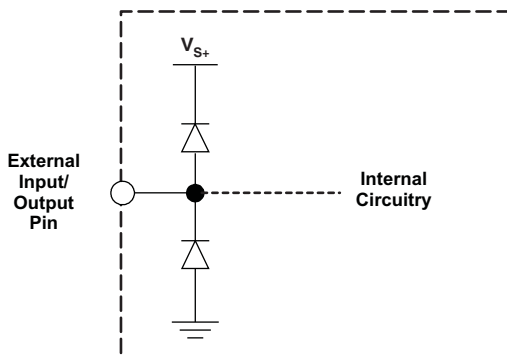


Figure 3. Internal ESD Protection

These diodes provide moderate protection to input overdrive voltages above and below the supplies as well. The protection diodes can typically support 30 mA of continuous current when overdriven.

TYPICAL CONFIGURATION and VIDEO TERMINOLOGY

A typical application circuit using the THS7315 as a video buffer is shown in [Figure 4](#). It shows a video DAC output, such as the DaVinci, driving the three input channels of the THS7315. Although the S-Video Y'/C' channels and the composite video (CVBS) channel of an SD video system are shown, these channels can easily be the Y'P'B'R' (sometimes labeled Y'U'V' or incorrectly labeled Y'C'B'C'R') signals of a 480i or 576i system. These signals can also be G'B'R' (R'G'B') signals or other variations. Note that for computer signals, the sync should be embedded within the signal for a system with only three outputs. This configuration is sometimes labeled as R'G'sB' (sync on green) or R'sG'sB's (sync on all signals).

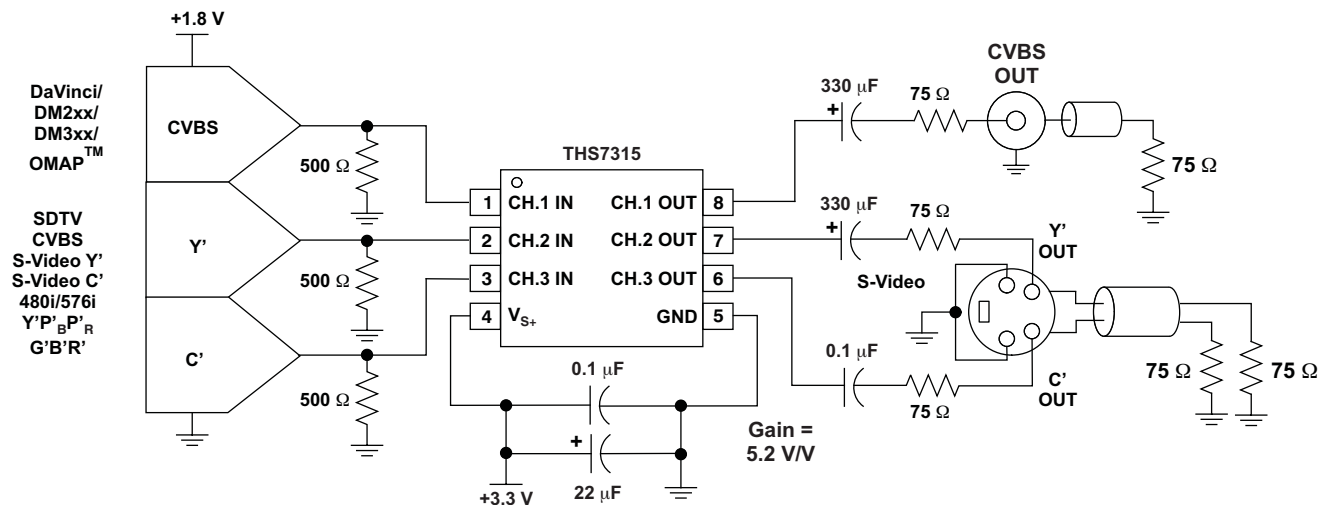


Figure 4. Typical SDTV CVBS/Y'/C' Inputs From DC-Coupled Encoder/DAC With AC-Coupled Line Driving

APPLICATION INFORMATION (continued)

Note that the Y' term is used for the luma channels throughout this document rather than the more common luminance (Y) term. The reason for this usage is to account for the definition of luminance as stipulated by the CIE (International Commission on Illumination). Video departs from true luminance because a nonlinear term, gamma, is added to the true RGB signals to form R'G'B' signals. These R'G'B' signals are then used to mathematically create luma (Y'). Therefore, true luminance (Y) is not maintained, and thus a difference in terminology arises.

This rationale is also used for the chroma (C') term. Chroma is derived from the nonlinear R'G'B' terms and therefore it is also nonlinear. True chrominance (C) is derived from linear RGB, and thus the difference between chroma (C') and chrominance (C) exists. The color difference signals (P'_B / P'_R /U'/V') are also referenced this way to denote the nonlinear (gamma-corrected) signals.

R'G'B' (commonly mislabeled RGB) is also called G'B'R' (again commonly mislabeled as GBR) in professional video systems. The SMPTE component standard stipulates that the luma information is placed on the first channel, the blue color difference is placed on the second channel, and the red color difference signal is placed on the third channel. This approach is consistent with the Y'P'_BP'_R nomenclature. Because the luma channel (Y') carries the sync information and the green channel (G') also carries the sync information, it makes logical sense that G' be placed first in the system. Since the blue color difference channel (P'_B) is next and the red color difference channel (P'_R) is last, then it also makes logical sense to place the B' signal on the second channel and the R' signal on the third channel, respectively. Thus, hardware compatibility is better achieved when using G'B'R' rather than R'G'B'. Note that for many G'B'R' systems, sync is embedded on all three channels; this configuration may not always be the case for all systems.

INPUT MODE OF OPERATION—DC

The THS7315 allows for both ac-coupled and dc-coupled inputs. Many DACs or video encoders can be dc-connected to the THS7315. One of the drawbacks to dc-coupling, however, occurs when 0 V is applied to the input. Although the THS7315 allows for a 0-V input signal with no issues, the output swing of a traditional amplifier cannot yield a 0-V signal, resulting in possible clipping. This condition is true for any single-supply amplifier because of the output transistor limitations. Both CMOS and bipolar transistors cannot go to 0 V while sinking current. This transistor characteristic is also the same reason why the highest output voltage is always less than the power-supply voltage when sourcing current.

This output clipping can reduce both the horizontal and vertical sync amplitudes on the video signal. A problem occurs if the video signal receiver uses an AGC loop to account for losses in the transmission line. Some video AGC circuits derive gain from the horizontal sync amplitude. If clipping occurs on the sync amplitude, then the AGC circuit can increase the gain too much—resulting in too much luma and/or chroma amplitude gain correction. This effect may result in a picture with an overly bright display and too much color saturation.

Other AGC circuits use the chroma burst amplitude for amplitude control, and a reduction in the sync signals does not alter the proper gain setting. However, it is good engineering design practice to ensure that saturation and/or clipping does not take place. Transistors always take a finite amount of time to come out of saturation. This saturation could possibly result in timing delays or other signal aberrations.

To eliminate saturation or clipping problems, the THS7315 has a 230 mV output level shift feature. This feature takes the input voltage and adds an internal level shift to the signal. The THS7315 rail-to-rail output stage can create this output level while connected to a typical video load. This process ensures that no saturation or clipping of the sync signal occurs. This level shift is constant, regardless of the input signal. For example, if a 0.5-V input is applied, the output is at $(0.5 \text{ V} \times 5.2 \text{ V/V}) + 0.23 \text{ V} = 2.92 \text{ V}$.

The fixed internal gain of 5.2 V/V (14.3 dB) dictates what the allowable linear input voltage range can be without clipping concerns. For example, if the power supply is set to 3 V, the maximum output is about 2.9 V while driving a significant amount of current. Thus, to avoid clipping, the allowable input will be $[(3.1 \text{ V} - 0.23 \text{ V}) / 5.2 \text{ V/V}] = 0.55 \text{ V}$. This relationship holds true up to the maximum recommended 5 V power supply that allows an approximate input range of $[(4.9 \text{ V} - 0.23 \text{ V}) / 5.2 \text{ V/V}] = 0.9 \text{ V}$ while avoiding clipping on the output.

APPLICATION INFORMATION (continued)

The THS7315 input impedance in this operating mode is dictated by the internal 800-k Ω pull-down resistor, as shown in Figure 5. Note that the internal voltage shift does not appear at the input pin, but only at the output pin.

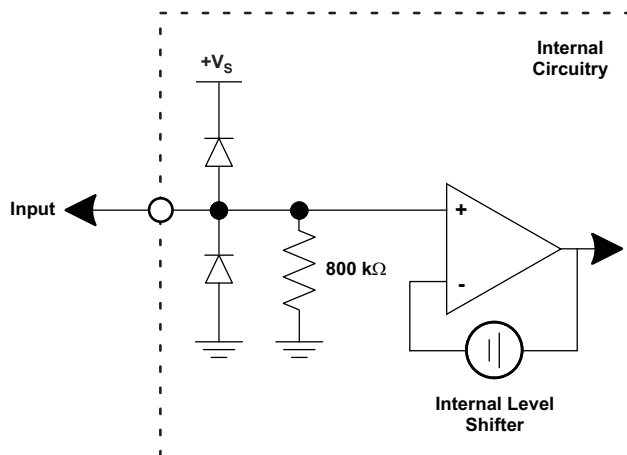


Figure 5. Equivalent DC Input Mode Circuit

INPUT MODE OF OPERATION —AC SYNC-TIP CLAMP

Some video DACs or encoders are not referenced to ground but rather to the positive power supply. These DACs typically only sink current, rather than the more traditional current-sourcing DAC where the resistor is referenced to ground. The resulting video signal voltages can be too high for a dc-coupled video buffer to function properly. To account for this scenario, the THS7315 incorporates a sync-tip clamp (STC) circuit. This function requires a capacitor (nominally 0.1 μ F) to be placed in series with the input. Note that while the term *sync-tip clamp* or STC is used throughout this document, it should be noted that the THS7315 is better termed as a *dc-restoration circuit* based on how this function is performed. The STC circuit is an active clamp circuit and not a passive diode clamp function.

The input to the THS7315 has an internal control loop that sets the lowest input-applied voltage to clamp at ground (0 V). By setting the reference at 0 V, the THS7315 allows a dc-coupled input to also function. Therefore, the STC is considered transparent because it does not operate unless the input signal goes below ground. The signal then goes through the same internal level shifter, resulting in an output voltage low level of 230 mV. If the input signal tries to go below 0 V, the internal control loop of the THS7315 will source up to 2 mA of current to increase the THS7315 input voltage level on the input side of the coupling capacitor. As soon as the voltage goes above 0 V, the loop will stop sourcing current and become very high impedance.

One of the concerns about the STC level is how the clamp reacts to a sync edge that has overshoot—a common effect in VCR signals or reflections found in poor PCB layouts. Ideally, the STC should not react to the overshoot voltage of the input signal. Otherwise, this effect could result in clipping on the rest of the video signal because it may raise the bias voltage too much.

To help minimize this input signal overshoot problem, the control loop in the THS7315 has an internal low-pass filter as shown in Figure 6. This filter reduces the response time of the STC circuit. This delay is a function of how far the voltage is below ground, but generally, it is about a 100-ns delay. The effect of this filter is to slow down the response of the control loop so as not to clamp on the input overshoot voltage, but rather the flat portion of the sync signal.

APPLICATION INFORMATION (continued)

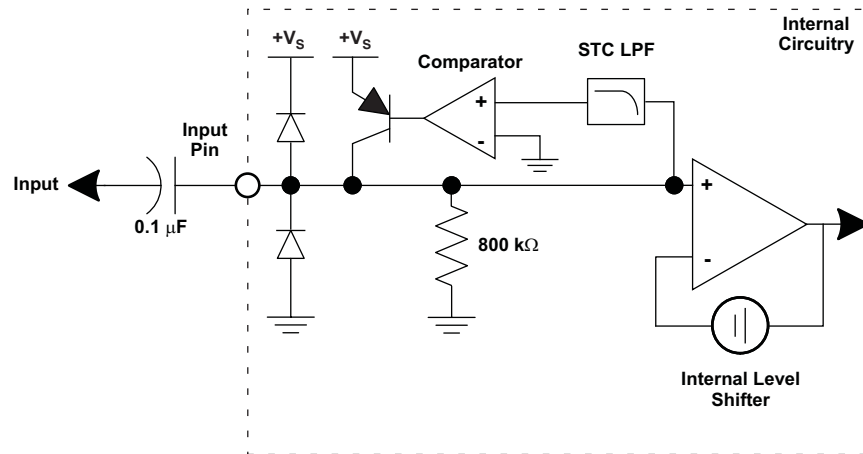


Figure 6. Equivalent AC Sync-Tip Clamp Input Circuit

As a result of the delay, the sync may have an apparent voltage shift. The amount of shift depends on the amount of droop in the signal as dictated by the input capacitor and the STC current flow. Because the sync is primarily for timing purposes—with syncs occurring on the edge of the sync signal—this shift is transparent in most systems.

While this feature may not fully eliminate overshoot issues on the input signal in cases of extreme overshoot and/or ringing, the STC system should help minimize improper clamping levels. As an additional way to minimize this problem, an external capacitor (for example, 10 pF to 47 pF) to ground in parallel with the external termination resistors can help filter overshoot problems.

It should be noted that the STC system is dynamic and does not rely upon timing in any way. It only depends on the voltage appearing at the input pin at any given point in time. The STC filtering helps minimize level shift problems associated with switching noises or very short spikes on the signal line, ensuring a very robust STC system.

When using the ac sync-tip clamp operation, there must also be some finite amount of discharge bias current. As previously discussed, if the input signal goes below the 0 V clamp level, the THS7315 internal loop will source current to increase the voltage appearing at the input pin. As the difference between the signal level and the 0 V reference level increases, the amount of source current increases proportionally—supplying up to 2 mA of current. As a result, the time to re-establish the proper STC voltage can be very short. If this difference is very small, then the source current will also be very small to account for minor voltage droop.

What happens if the input signal goes above the 0 V input level? The problem is that the video signal will always be above this level and must not be altered in any way. If the sync level of the input signal is above 0 V, however, then the internal discharge (sink) current will reduce the ac-coupled bias signal to the proper 0 V level.

This discharge current must not be large enough to significantly alter the video signal, or picture quality issues may arise. This effect is often seen by looking at the tilt (or *droop*) of a constant luma signal being applied and observing the resulting output level. The associated change in luma level from the beginning of the video line to the end of the video line is the amount of droop.

If the discharge current is very small, the amount of tilt (or droop) is very low, which is generally a good thing. Unfortunately, the amount of time for the system to capture the sync signal could be too long. This effect is also termed *hum rejection*. Hum arises from the ac line voltage frequency of 50 Hz or 60 Hz. The values of the discharge current and the ac-coupling capacitor combine to dictate the hum rejection and the amount of line tilt.

APPLICATION INFORMATION (continued)

To allow for both dc-coupling and ac-coupling in the same part, the THS7315 incorporates an 800-k Ω resistor to ground. Although a true constant current sink is preferred over a resistor, there are significant issues when the voltage is near ground. (For example, voltage near ground can cause the current sink transistor to saturate and produce potential signal problems.) This resistor is large enough to not impact a dc-coupled DAC termination. For discharging an ac-coupled source, Ohm's Law is utilized. If the video signal is 0.5 V, then there will be $0.5 \text{ V} / 800 \text{ k}\Omega = 0.625 \mu\text{A}$ of discharge current. If more hum rejection is desired or there is a loss of sync occurring, simply decrease the 0.1 μF input coupling capacitor. A decrease from 0.1 μF to 0.047 μF increases the hum rejection by a factor of 2:1. Alternatively, an external pull-down resistor to ground may be added, decreasing the overall resistance and ultimately increasing the discharge current.

To ensure proper stability of the ac STC control loop, the source impedance must be less than 1 k Ω with the input capacitor in place. Otherwise, there is a possibility of the control loop ringing. This ringing may appear on the THS7315 output. Because most DACs or encoders use resistors that are typically $\leq 500 \Omega$ to establish the voltage, meeting the $< 1 \text{ k}\Omega$ requirement is easily done. However, if the source impedance looking from the THS7315 input is very high, then simply adding a 1-k Ω resistor to GND will ensure proper operation of the THS7315.

INPUT MODE OF OPERATION —AC BIAS

Sync-tip clamps work very well for signals that have horizontal and/or vertical syncs associated with them. Some video signals, on the other hand, do not have a sync embedded within the signal. If ac-coupling of these signals is desired, then a dc bias is required to properly set the dc operating point within the THS7315. This function is easily accomplished with the THS7315 by simply adding an external pull-up resistor to the positive power supply, as shown in Figure 7.

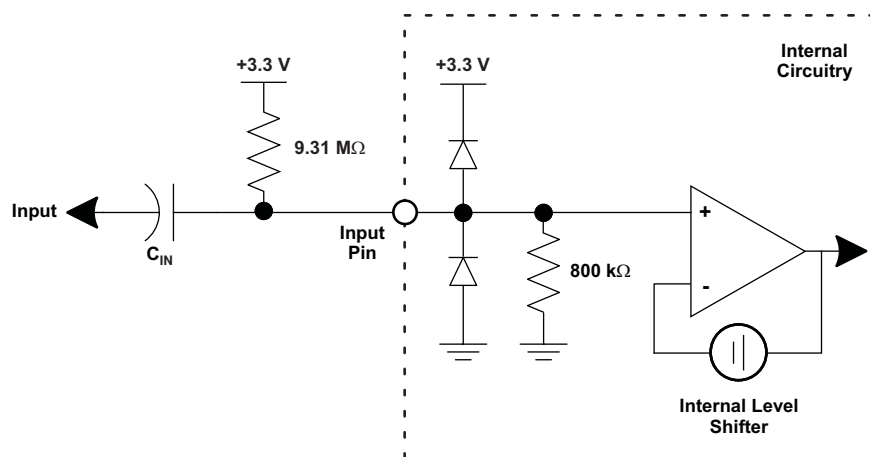


Figure 7. AC-Bias Input Mode Circuit Configuration

The dc voltage appearing at the input pin is approximately equal to:

$$V_{\text{DC}} = V_{\text{S}} \left(\frac{800\text{k}}{800\text{k} + R_{\text{PU}}} \right) \quad (1)$$

The allowable input range of the THS7315 is very wide: approximately $(+V_{\text{S}} - 1.5 \text{ V})$. The input range is limited by the allowable output voltage range and the internal gain. As such, the input dc bias point is very flexible, with the output dc bias point being the primary factor. For example, if the desired output dc bias point is 1.6 V on a 3.3-V supply, then the input dc bias point should be $(1.6 \text{ V} - 230 \text{ mV}) / 5.2 = 0.263 \text{ V}$. Consequently, the pull-up resistor calculates to be about 9.31 M Ω , resulting in 0.261 V. If the desired input dc-bias point is 2.4 V with a 5-V power supply, then the pull-up resistor calculates to be about 8.66 M Ω .

Keep in mind that the internal 800-k Ω resistor has approximately a $\pm 20\%$ variance. As such, the calculations should account for this variance. For the 0.261 V example above, using an ideal 9.31-M Ω resistor, the input dc bias voltage is about $0.261 \text{ V} \pm 0.05 \text{ V}$, which translates to an output bias voltage of about $1.64 \text{ V} \pm 0.26 \text{ V}$.

APPLICATION INFORMATION (continued)

One other issue that must be taken into account is the dc-bias point. The dc-bias point is a function of the power supply. As such, there is as a low-pass filter. Additionally, the time to charge the capacitor to the final dc bias point is also a function of the pull-up resistor and the input capacitor. Lastly, the input capacitor forms a high-pass filter with the parallel impedance of the pull-up resistor and the 800-k Ω resistor. Generally, it is good to have this high-pass filter at about 3 Hz to minimize any potential droop on a P_B, P_R, or non-sync B' or R' signal. A 0.1- μ F input capacitor with a 9.31-M Ω pull-up resistor equals about a 2.2-Hz high-pass corner frequency.

This mode of operation is recommended for use with chroma (C'), P_B, P_R, U', V', and non-sync B' and/or R' signals.

OUTPUT MODE OF OPERATION—DC-COUPLED

The THS7315 incorporates a rail-to-rail output stage that can be utilized to drive the line directly without the need for large ac-coupling capacitors, as shown in Figure 8. This architecture offers the best line tilt and field tilt (or droop) performance because no ac coupling occurs. Keep in mind that if the input is ac-coupled, then the resulting tilt arising from the input ac coupling is still seen on the output, regardless of the output coupling. The 80-mA output current drive capability of the THS7315 was designed to drive two video lines per channel simultaneously—essentially, a 75- Ω load—while keeping the output dynamic range as wide as possible.

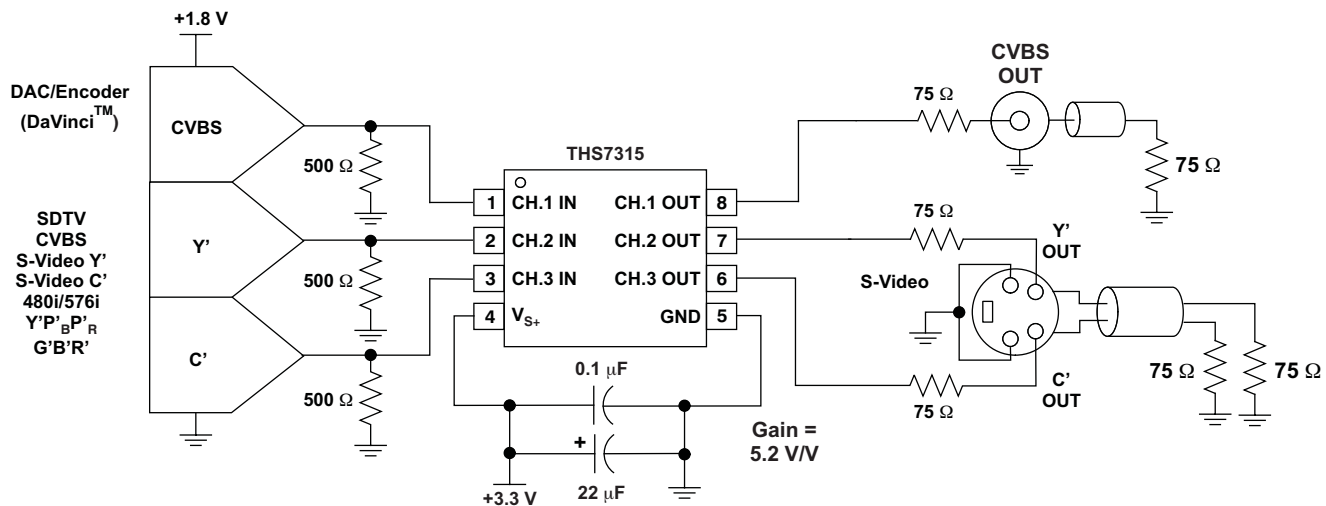


Figure 8. Typical SDTV CVBS/Y'/C' System with DC-Coupled Line Driving

One concern about dc coupling arises when the line is terminated to ground. If the ac-bias input configuration is used, the THS7315 output has a dc bias on the output. With two lines terminated to ground, this configuration creates a dc current path, resulting in a slightly decreased high output voltage swing as well as an increase in device power dissipation. While the THS7315 was designed to operate with junction temperatures of up to +125°C, care must be taken to ensure that the junction temperature does not exceed this level; otherwise, long-term reliability could suffer. Although this configuration only adds less than 10 mW of power dissipation per channel, the overall low power dissipation of the THS7315 design minimizes potential thermal issues even when using the SOIC package at high ambient temperatures.

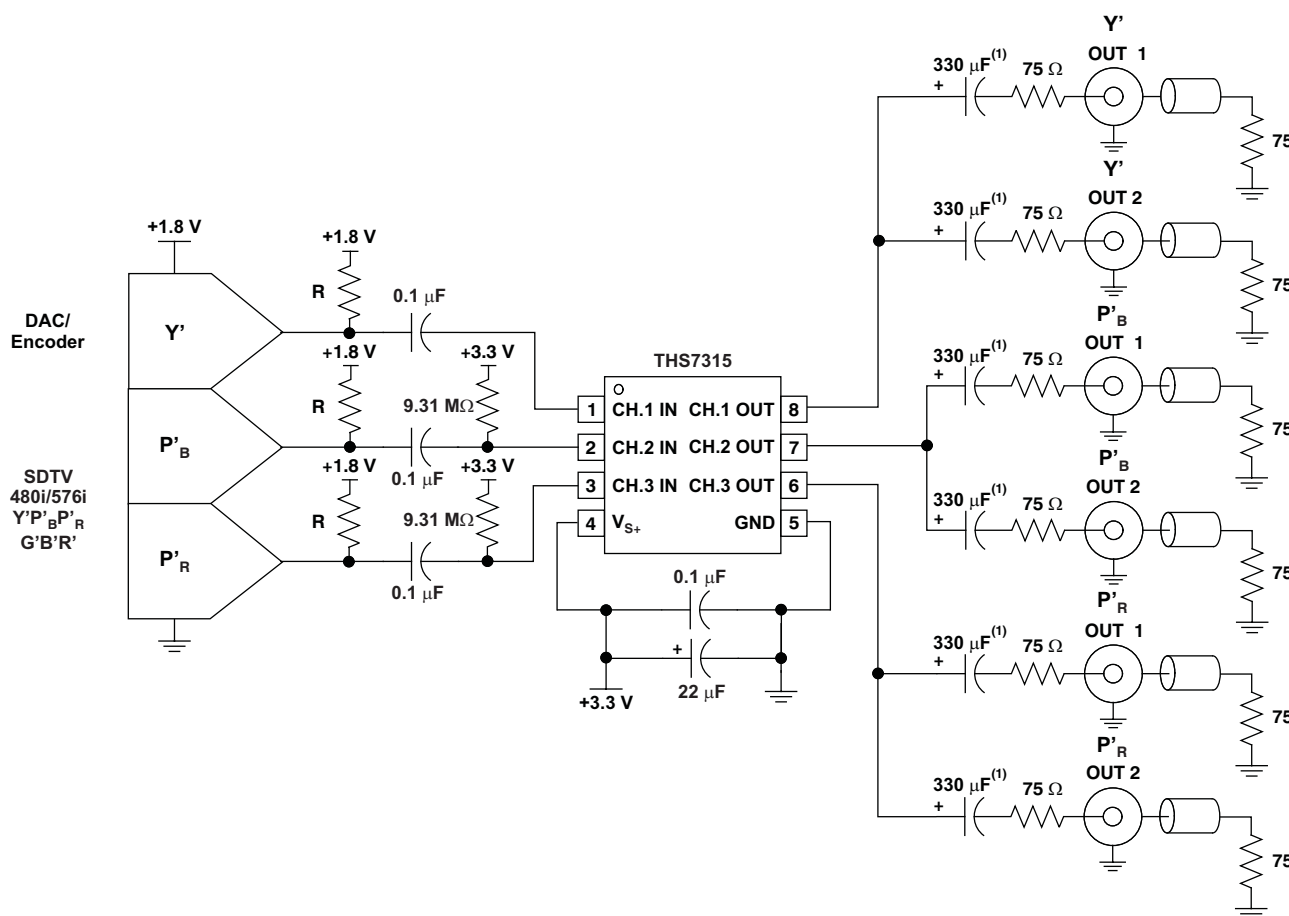
Note that the THS7315 can drive the line with dc coupling regardless of the input mode of operation. The only requirement is to verify that the video line has proper termination in series with the output (typically 75 Ω). This termination also helps isolate capacitive loading effects from the THS7315 output. Failure to isolate capacitive loads may result in instabilities with the output buffer, potentially causing ringing or oscillating to appear. The stray capacitance appearing directly at the THS7315 output pins should be kept below 25 pF.

APPLICATION INFORMATION (continued)

OUTPUT MODE OF OPERATION—AC-COUPLED

The most common method of coupling the video signal to the line is through the use of a large capacitor. This capacitor is typically between 220 μF and 1000 μF , although 330 μF is very common. The value of this capacitor must be this large to minimize the line tilt (droop) and/or field tilt associated with ac coupling as discussed previously in this document. AC coupling is done for several reasons; generally, it is done to ensure full interoperability with the receiving video system. This coupling eliminates possible ground loops. It also ensures that regardless of the reference dc voltage used on the transmit side, the receive side will re-establish the dc reference voltage to its own requirements.

In the same way that the dc output mode of operation is configured (as discussed earlier), each line should have a 75- Ω source termination resistor in series with the ac-coupling capacitor. If driving two lines, it is best to have each line use its own capacitor and resistor rather than sharing these components, as Figure 9 shows. This configuration helps ensure line-to-line dc isolation and avoids the potential problems discussed earlier. Using a single 1000- μF capacitor for two lines can be done, but there is a chance for ground loops and additional interference to be created between the two receivers.



- (1) As a result of the high frequency content of the video signal, it is recommended, but not required, to add a 0.1- μF or 0.01- μF capacitor in parallel with these large capacitors.
- (2) Current sinking DAC / Encoder shown. See the application notes.

Figure 9. Typical 480i/576i Y'P'B'P'R AC-Input System Driving Two AC-Coupled Video Lines

APPLICATION INFORMATION (continued)

Lastly, because of the edge rates and frequencies of operation, it is recommended (but not required) to place a 0.1- μF to 0.01- μF capacitor in parallel with the large 220- μF to 1000- μF capacitor. These large-value capacitors are generally aluminum electrolytic. It is well-known that these types of capacitors have significantly large equivalent series resistance, or ESR, and the respective impedances at high frequencies is rather large as a result of the associated inductances involved with the leads and construction. The small 0.1- μF to 0.01- μF capacitors help to pass these high-frequency (greater than 1 MHz) signals with much lower impedance than the large capacitors.

Although it is common to use the same capacitor values for all the video lines, the frequency bandwidth of the chroma signal in an S-Video system is not required to go to as low (or as high) a frequency as the luma channels. Therefore, the capacitor values of the chroma line(s) can be smaller, such as 0.1 μF .

LOW-PASS FILTER

Each channel of the THS7315 incorporates a 5th-order low-pass filter. These video reconstruction filters minimize DAC images from passing on to the video receiver. Depending on the receiver design, failure to eliminate these DAC images can cause picture quality problems that result from ADC aliasing. Another benefit of the filter is that it smooths out aberrations in the signal that some DACs can demonstrate if the internal filtering is not good. These benefits help with picture quality and ensure that the signal meets video bandwidth requirements.

Each filter has an associated Butterworth characteristic. The benefit of the Butterworth response is that the frequency response is flat, with a relatively steep initial attenuation at the corner frequency. The problem with the Butterworth filter, however, is that the group delay also rises near the corner frequency. Group delay is defined as the change in phase (radians/second) divided by a change in frequency. An increase in group delay corresponds to a time-domain pulse response that has overshoot (and possible ringing associated with the overshoot).

Other filter types (such as elliptic or chebyshev) are not recommended for video applications because of the very large group delay variations that occur near the corner frequency, also resulting in significant overshoot and ringing. While elliptic or chebyshev filters may help meet the video standard specifications with respect to amplitude attenuation, the group delay is well beyond the standard specifications. Combined with the fact that video can switch from a white pixel to a black pixel over and over again, ringing can easily occur. Ringing typically causes a display to have ghosting or fuzziness on the edges of a sharp transition. On the other hand, a Bessel filter has ideal group delay response, but the rate of attenuation is typically too low for acceptable image rejection. Consequently, the Butterworth filter is a respectable compromise for both attenuation and group delay.

The THS7315 filters have a nominal corner (-3 dB) frequency at 8.5 MHz and a -1 dB passband, typically at 7 MHz. This 8.5-MHz filter is ideal for SDTV, NTSC, PAL, and SECAM composite video (CVBS) signals. It is also useful for S-Video signals (Y'C'), 480i/576i Y'P_BP_R, Y'U'V', broadcast G'B'R' signals, and computer R'G'B' video signals. The 8.5-MHz, -3 -dB corner frequency was designed to allow a maximally flat video signal while achieving 47 dB of attenuation at 27 MHz—a common sampling frequency between the DAC/ADC 2nd and 3rd Nyquist zones that is found in many video systems. This feature is important because any signal appearing around this frequency can appear in the baseband because of aliasing effects of an ADC found in a receiver.

Keep in mind that images do not stop at 27 MHz; they continue around the sampling frequencies of 54 MHz, 81 MHz, 108 MHz, and so forth. Because of these multiple images that an ADC can fold down into the baseband signal, the low-pass filter must also eliminate these higher-order images. The THS7315 has over 70-dB attenuation at 54 MHz and 81 MHz, along with over 65-dB attenuation at 108 MHz. Attenuation above 108 MHz is at least 55 dB, ensuring that images do not affect the desired video baseband signal.

The 8.5-MHz filter frequency was chosen to account for process variations in the THS7315. To ensure the required video frequencies are effectively passed, the filter corner frequency must be high enough to allow component variations. The other filter design consideration is the attenuation. It must be large enough to ensure that anti-aliasing/reconstruction filtering is enough to meet the system demands. Thus, the filter frequency selection was not arbitrary; it is a good compromise that should meet the demands of most systems.

APPLICATION INFORMATION (continued)

ADVANTAGES OVER PASSIVE FILTERING

Two key benefits of using an integrated filter system such as the THS7315 over a passive system are PCB area and filter variations. For overall board area, the small SOIC-8 package for 3-video channels is much smaller over a passive RLC network, especially a 5-pole passive network. As for filter variations, consider that inductors generally have 10% tolerances (normally 15% to 20%) and capacitors typically have 10% tolerances. A Monte Carlo analysis shows that the desired filter corner frequency (–3 dB), flatness (–1 dB), Q-factor (or peaking), and channel-to-channel delay will have wide variations. These variations can lead to potential performance and quality issues in mass-production environments. The THS7315 solves most of these problems with the corner frequency being the only variable.

One concern about using an active filter in an integrated circuit is the variation of the filter characteristics when the ambient temperature and the subsequent die temperature change. To minimize temperature effects, the THS7315 uses low temperature coefficient resistors and high quality/low temperature coefficient capacitors found in the BiCom3 process. The filters have been specified by design to account for process and temperature variations to maintain proper filter characteristics. This design guideline maintains a low channel-to-channel time delay that is required for proper video signal performance.

The input and output impedances are another benefit of the THS7315 over a passive RLC filter. The input impedance presented to the DAC varies significantly with a passive network and may cause voltage variations over frequency. The THS7315 input impedance is 800 k Ω ; only the 2-pF input capacitance plus the PCB trace capacitance affect this value. As such, the voltage variation appearing at the DAC output is better controlled with the THS7315.

On the output side of the filter, a passive filter again has an impedance variation over frequency. The THS7315 is an operational amplifier that approximates an ideal voltage source. A voltage source is desirable because the output impedance is very low and can source and sink current. To properly match the transmission line characteristic impedance of a video line, a 75- Ω series resistor is placed on the output. To minimize reflections and to maintain a good return loss, this output impedance must maintain a 75- Ω impedance. A passive filter impedance variation cannot specify this condition, while the THS7315 has about 0.8 Ω of output impedance at 1 MHz. Thus, the system is matched much better with a THS7315 when compared to a passive filter.

One final benefit of the THS7315 over a passive filter is power dissipation. A DAC driving a video line must be able to drive a 37.5- Ω load—the receiver 75- Ω resistor and the 75- Ω impedance-matching resistor next to the DAC to maintain the source impedance requirement. This design requirement forces the DAC to drive at least $1.25 V_{PP}$ (100% saturation CVBS) / 37.5 Ω = 33.3 mA. A DAC is a current-steering element, and this amount of current flows internally to the DAC even if the output is 0 V. Thus, power dissipation in the DAC may be very high, especially when six channels are being driven. Using the THS7315, with a high input impedance and the capability to drive up to two video lines, can reduce the DAC power dissipation significantly. This reduction occurs because the resistance that the DAC is driving can be substantially increased. It is common to set this increase in a DAC by a current-setting resistor on the device. Thus, the resistance can be 300 Ω or more—significantly reducing the current drive demands from the DAC and saving a substantial amount of power. For example, a 3.3-V, six-channel DAC dissipates 660 mW just for the steering current capability (6 channels \times 33.3 mA \times 3.3 V) if it needs to drive 37.5- Ω load. With a 300- Ω load, the DAC power dissipation as a result of current steering current would only be 82.5 mW (6 channels \times 4.16 mA \times 3.3 V).

EVALUATION MODULE

To evaluate the THS7315, an evaluation module (EVM) is available. The EVM allows for testing the THS7315 in many different systems. Inputs and outputs include RCA connectors for consumer grade interconnections, or BNC connectors for higher-level lab grade connections. Several unpopulated component pads are found on the EVM to allow for different input and output configurations as dictated by the user.

Figure 10 shows the THS7315EVM schematic. Figure 11 and Figure 12 illustrate the top layer and bottom layer (respectively) of the EVM PCB, incorporating standard high-speed layout practices. Table 1 lists the bill of materials as supplied from Texas Instruments.

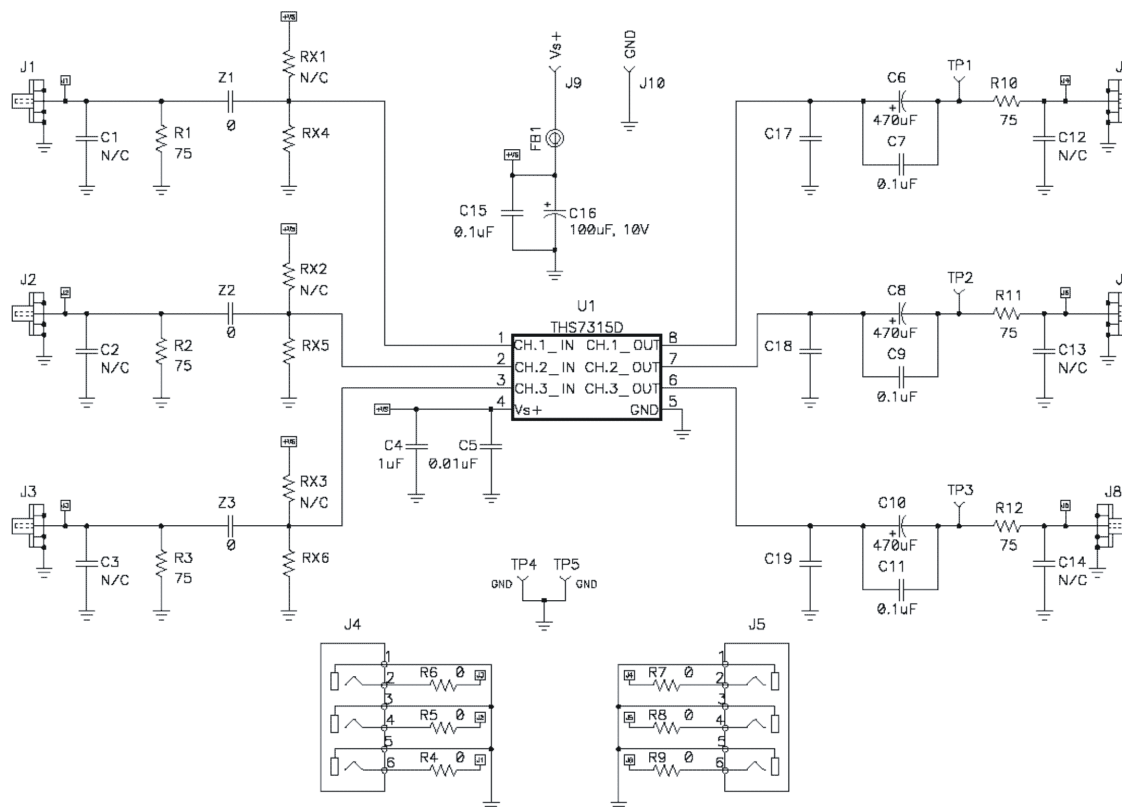


Figure 10. THS7315D EVM Schematic

EVALUATION MODULE (continued)

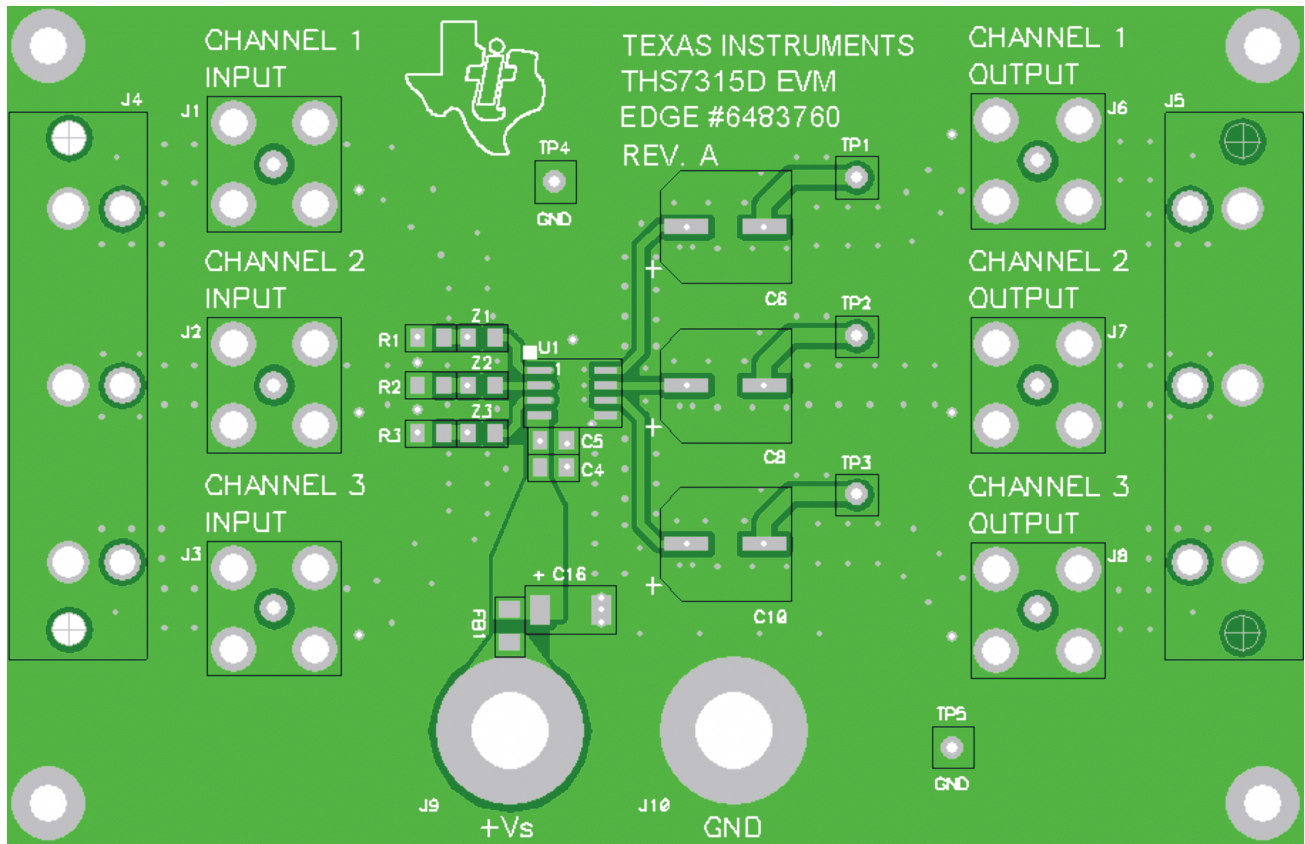


Figure 11. THS7315D EVM PCB Top Layer

EVALUATION MODULE (continued)

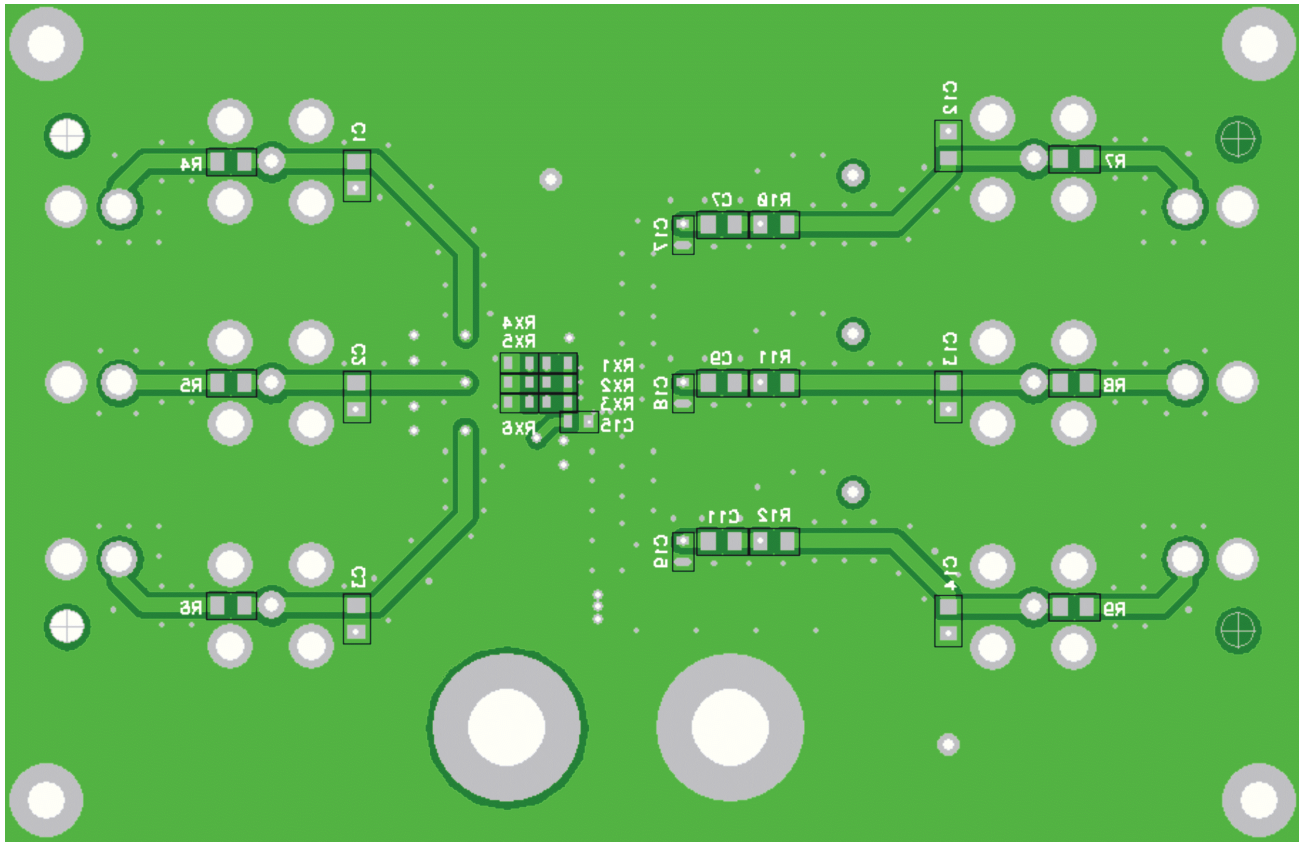


Figure 12. THS7315D EVM PCB Bottom Layer

EVALUATION MODULE (continued)**THS7315EVM Bill of Materials****Table 1. THS7315D EVM**

ITEM	REF DES	QTY	DESCRIPTION	SMD SIZE	MANUFACTURER PART NUMBER	DISTRIBUTOR PART NUMBER
1	FB1	1	Bead, Ferrite, 2.5A, 330 Ω	0805	(TDK) MPZ2012S331A	(Digi-Key) 445-1569-1-ND
2	C16	1	Capacitor, 100 μ F, Tantalum, 10V, 10%, Low-ESR	C	(AVX) TPSC107K010R0100	(Digi-Key) 478-1765-1-ND
3	C17, C18, C19	3	Open	0603		
4	C15	1	Capacitor, 0.1 μ F, Ceramic, 16V, X7R	0603	(AVX) 0603YC104KAT2A	(Garrett) 0603YC104KAT2A
5	C1, C2, C3, C12, C13, C14	6	OPEN	0805		
6	C5	1	Capacitor, 0.01 μ F, Ceramic, 100V, X7R	0805	(AVX) 08051C103KAT2A	(Digi-Key) 478-1358-1-ND
7	C7, C9, C11	3	Capacitor, 0.1 μ F, Ceramic, 50V, X7R	0805	(AVX) 08055C104KAT2A	(Digi-Key) 478-1395-1-ND
8	C4	1	Capacitor, 1 μ F, Ceramic, 16V, X7R	0805	(TDK) C2012X7R1C105K	(Digi-Key) 445-1358-1-ND
9	C6, C8, C10	3	Capacitor, Aluminum, 470 μ F, 10V, 20%	F	(Cornell) AFK477M10F24B	(Newark) 97C7597
10	RX1–RX6	6	Open	0603		
11	R4–R9, Z1, Z2, Z3	9	Resistor, 0 Ω	0805	(ROHM) MCR10EZJH000	(Digi-Key) RHM0.0ACT-ND
12	R1, R2, R3, R10, R11, R12	6	Resistor, 75 Ω , 1/8W, 1%	0805	(ROHM) MCR10EZHF75.0	(Digi-Key) RHM75.0CCT-ND
13	J9, J10	2	Jack, Banana Receptance, 0.25" dia. hole		(SPC) 813	(Newark) 39N867
14	J1, J2, J3, J6, J7, J8	6	Connector, BNC, Jack, 75 Ω		(Amphenol) 31-5329-72RFX	(Newark) 93F7554
15	J4, J5	2	Connector, RCA, Jack, R/A		(CUI) RCJ-32265	(Digi-Key) CP-1446-ND
16	TP1, TP2, TP3	3	Test Point, Red		(Keystone) 5000	(Digi-Key) 5000K-ND
17	TP4, TP5	2	Test Point, Black		(Keystone) 5001	(Digi-Key) 5001K-ND
18	U1	1	IC, THS7315	D	(TI) THS7315D	
19		4	Standoff, 4-40 Hex, 0.625" Length		(Keystone) 1808	(Newark) 89F1934
20		4	Screw, Phillips, 4-40, .250"		(BF) PMS 440 0031 PH	(Digi-Key) H343-ND
21		1	Printed circuit board		Edge # 6483760 REV. A	

EVALUATION BOARD/KIT IMPORTANT NOTICE

Texas Instruments (TI) provides the enclosed product(s) under the following conditions:

This evaluation board/kit is intended for use for **ENGINEERING DEVELOPMENT, DEMONSTRATION, OR EVALUATION PURPOSES ONLY** and is not considered by TI to be a finished end-product fit for general consumer use. Persons handling the product(s) must have electronics training and observe good engineering practice standards. As such, the goods being provided are not intended to be complete in terms of required design-, marketing-, and/or manufacturing-related protective considerations, including product safety and environmental measures typically found in end products that incorporate such semiconductor components or circuit boards. This evaluation board/kit does not fall within the scope of the European Union directives regarding electromagnetic compatibility, restricted substances (RoHS), recycling (WEEE), FCC, CE or UL, and therefore may not meet the technical requirements of these directives or other related directives.

Should this evaluation board/kit not meet the specifications indicated in the User's Guide, the board/kit may be returned within 30 days from the date of delivery for a full refund. **THE FOREGOING WARRANTY IS THE EXCLUSIVE WARRANTY MADE BY SELLER TO BUYER AND IS IN LIEU OF ALL OTHER WARRANTIES, EXPRESSED, IMPLIED, OR STATUTORY, INCLUDING ANY WARRANTY OF MERCHANTABILITY OR FITNESS FOR ANY PARTICULAR PURPOSE.**

EVALUATION BOARD/KIT IMPORTANT NOTICE (continued)

The user assumes all responsibility and liability for proper and safe handling of the goods. Further, the user indemnifies TI from all claims arising from the handling or use of the goods. Due to the open construction of the product, it is the user's responsibility to take any and all appropriate precautions with regard to electrostatic discharge.

EXCEPT TO THE EXTENT OF THE INDEMNITY SET FORTH ABOVE, NEITHER PARTY SHALL BE LIABLE TO THE OTHER FOR ANY INDIRECT, SPECIAL, INCIDENTAL, OR CONSEQUENTIAL DAMAGES.

TI currently deals with a variety of customers for products, and therefore our arrangement with the user is **not exclusive**.

TI assumes **no liability for applications assistance, customer product design, software performance, or infringement of patents or services described herein**.

Please read the User's Guide and, specifically, the Warnings and Restrictions notice in the User's Guide prior to handling the product. This notice contains important safety information about temperatures and voltages. For additional information on TI's environmental and/or safety programs, please contact the TI application engineer or visit www.ti.com/esh.

No license is granted under any patent right or other intellectual property right of TI covering or relating to any machine, process, or combination in which such TI products or services might be or are used.

FCC Warning

This evaluation board/kit is intended for use for **ENGINEERING DEVELOPMENT, DEMONSTRATION, OR EVALUATION PURPOSES ONLY** and is not considered by TI to be a finished end-product fit for general consumer use. It generates, uses, and can radiate radio frequency energy and has not been tested for compliance with the limits of computing devices pursuant to part 15 of FCC rules, which are designed to provide reasonable protection against radio frequency interference. Operation of this equipment in other environments may cause interference with radio communications, in which case the user at his own expense will be required to take whatever measures may be required to correct this interference.

EVM WARNINGS AND RESTRICTIONS

It is important to operate this EVM within the input voltage range of 2.85 V to 5.5 V single supply and the output voltage range of 0 V to 5.5 V.

Exceeding the specified input range may cause unexpected operation and/or irreversible damage to the EVM. If there are questions concerning the input range, please contact a TI field representative prior to connecting the input power.

Applying loads outside of the specified output range may result in unintended operation and/or possible permanent damage to the EVM. Please consult the EVM User's Guide prior to connecting any load to the EVM output. If there is uncertainty as to the load specification, please contact a TI field representative.

During normal operation, some circuit components may have case temperatures greater than +85 = C. The EVM is designed to operate properly with certain components above +85 = C as long as the input and output ranges are maintained. These components include but are not limited to linear regulators, switching transistors, pass transistors, and current sense resistors. These types of devices can be identified using the EVM schematic located in the EVM User's Guide. When placing measurement probes near these devices during operation, please be aware that these devices may be very warm to the touch.

Mailing Address: Texas Instruments, Post Office Box 655303, Dallas, Texas 75265
Copyright © 2007, Texas Instruments Incorporated

PACKAGING INFORMATION

Orderable Device	Status ⁽¹⁾	Package Type	Package Drawing	Pins	Package Qty	Eco Plan ⁽²⁾	Lead/Ball Finish	MSL Peak Temp ⁽³⁾
THS7315D	ACTIVE	SOIC	D	8	75	Green (RoHS & no Sb/Br)	CU NIPDAU	Level-2-260C-1 YEAR
THS7315DG4	ACTIVE	SOIC	D	8	75	Green (RoHS & no Sb/Br)	CU NIPDAU	Level-2-260C-1 YEAR
THS7315DR	ACTIVE	SOIC	D	8	2500	Green (RoHS & no Sb/Br)	CU NIPDAU	Level-2-260C-1 YEAR
THS7315DRG4	ACTIVE	SOIC	D	8	2500	Green (RoHS & no Sb/Br)	CU NIPDAU	Level-2-260C-1 YEAR

⁽¹⁾ The marketing status values are defined as follows:

ACTIVE: Product device recommended for new designs.

LIFEBUY: TI has announced that the device will be discontinued, and a lifetime-buy period is in effect.

NRND: Not recommended for new designs. Device is in production to support existing customers, but TI does not recommend using this part in a new design.

PREVIEW: Device has been announced but is not in production. Samples may or may not be available.

OBSOLETE: TI has discontinued the production of the device.

⁽²⁾ Eco Plan - The planned eco-friendly classification: Pb-Free (RoHS), Pb-Free (RoHS Exempt), or Green (RoHS & no Sb/Br) - please check <http://www.ti.com/productcontent> for the latest availability information and additional product content details.

TBD: The Pb-Free/Green conversion plan has not been defined.

Pb-Free (RoHS): TI's terms "Lead-Free" or "Pb-Free" mean semiconductor products that are compatible with the current RoHS requirements for all 6 substances, including the requirement that lead not exceed 0.1% by weight in homogeneous materials. Where designed to be soldered at high temperatures, TI Pb-Free products are suitable for use in specified lead-free processes.

Pb-Free (RoHS Exempt): This component has a RoHS exemption for either 1) lead-based flip-chip solder bumps used between the die and package, or 2) lead-based die adhesive used between the die and leadframe. The component is otherwise considered Pb-Free (RoHS compatible) as defined above.

Green (RoHS & no Sb/Br): TI defines "Green" to mean Pb-Free (RoHS compatible), and free of Bromine (Br) and Antimony (Sb) based flame retardants (Br or Sb do not exceed 0.1% by weight in homogeneous material)

⁽³⁾ MSL, Peak Temp. -- The Moisture Sensitivity Level rating according to the JEDEC industry standard classifications, and peak solder temperature.

Important Information and Disclaimer:The information provided on this page represents TI's knowledge and belief as of the date that it is provided. TI bases its knowledge and belief on information provided by third parties, and makes no representation or warranty as to the accuracy of such information. Efforts are underway to better integrate information from third parties. TI has taken and continues to take reasonable steps to provide representative and accurate information but may not have conducted destructive testing or chemical analysis on incoming materials and chemicals. TI and TI suppliers consider certain information to be proprietary, and thus CAS numbers and other limited information may not be available for release.

In no event shall TI's liability arising out of such information exceed the total purchase price of the TI part(s) at issue in this document sold by TI to Customer on an annual basis.

TAPE AND REEL INFORMATION



QUADRANT ASSIGNMENTS FOR PIN 1 ORIENTATION IN TAPE



*All dimensions are nominal

Device	Package Type	Package Drawing	Pins	SPQ	Reel Diameter (mm)	Reel Width W1 (mm)	A0 (mm)	B0 (mm)	K0 (mm)	P1 (mm)	W (mm)	Pin1 Quadrant
THS7315DR	SOIC	D	8	2500	330.0	12.4	6.4	5.2	2.1	8.0	12.0	Q1

TAPE AND REEL BOX DIMENSIONS

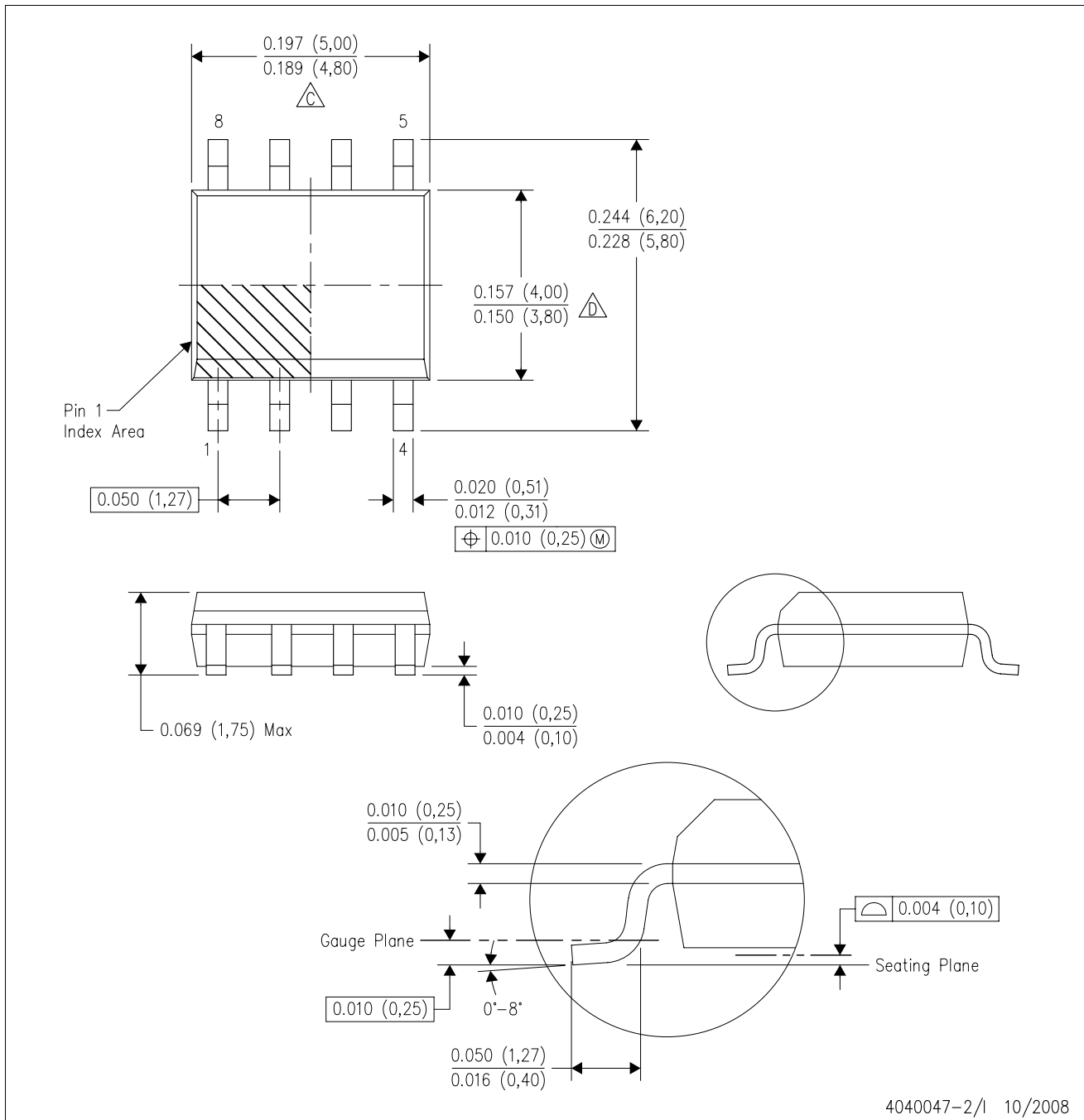


*All dimensions are nominal

Device	Package Type	Package Drawing	Pins	SPQ	Length (mm)	Width (mm)	Height (mm)
THS7315DR	SOIC	D	8	2500	346.0	346.0	29.0

D (R-PDSO-G8)

PLASTIC SMALL-OUTLINE PACKAGE



- NOTES:
- A. All linear dimensions are in inches (millimeters).
 - B. This drawing is subject to change without notice.
 - $\triangle C$ Body length does not include mold flash, protrusions, or gate burrs. Mold flash, protrusions, or gate burrs shall not exceed .006 (0,15) per end.
 - $\triangle D$ Body width does not include interlead flash. Interlead flash shall not exceed .017 (0,43) per side.
 - E. Reference JEDEC MS-012 variation AA.

IMPORTANT NOTICE

Texas Instruments Incorporated and its subsidiaries (TI) reserve the right to make corrections, modifications, enhancements, improvements, and other changes to its products and services at any time and to discontinue any product or service without notice. Customers should obtain the latest relevant information before placing orders and should verify that such information is current and complete. All products are sold subject to TI's terms and conditions of sale supplied at the time of order acknowledgment.

TI warrants performance of its hardware products to the specifications applicable at the time of sale in accordance with TI's standard warranty. Testing and other quality control techniques are used to the extent TI deems necessary to support this warranty. Except where mandated by government requirements, testing of all parameters of each product is not necessarily performed.

TI assumes no liability for applications assistance or customer product design. Customers are responsible for their products and applications using TI components. To minimize the risks associated with customer products and applications, customers should provide adequate design and operating safeguards.

TI does not warrant or represent that any license, either express or implied, is granted under any TI patent right, copyright, mask work right, or other TI intellectual property right relating to any combination, machine, or process in which TI products or services are used. Information published by TI regarding third-party products or services does not constitute a license from TI to use such products or services or a warranty or endorsement thereof. Use of such information may require a license from a third party under the patents or other intellectual property of the third party, or a license from TI under the patents or other intellectual property of TI.

Reproduction of TI information in TI data books or data sheets is permissible only if reproduction is without alteration and is accompanied by all associated warranties, conditions, limitations, and notices. Reproduction of this information with alteration is an unfair and deceptive business practice. TI is not responsible or liable for such altered documentation. Information of third parties may be subject to additional restrictions.

Resale of TI products or services with statements different from or beyond the parameters stated by TI for that product or service voids all express and any implied warranties for the associated TI product or service and is an unfair and deceptive business practice. TI is not responsible or liable for any such statements.

TI products are not authorized for use in safety-critical applications (such as life support) where a failure of the TI product would reasonably be expected to cause severe personal injury or death, unless officers of the parties have executed an agreement specifically governing such use. Buyers represent that they have all necessary expertise in the safety and regulatory ramifications of their applications, and acknowledge and agree that they are solely responsible for all legal, regulatory and safety-related requirements concerning their products and any use of TI products in such safety-critical applications, notwithstanding any applications-related information or support that may be provided by TI. Further, Buyers must fully indemnify TI and its representatives against any damages arising out of the use of TI products in such safety-critical applications.

TI products are neither designed nor intended for use in military/aerospace applications or environments unless the TI products are specifically designated by TI as military-grade or "enhanced plastic." Only products designated by TI as military-grade meet military specifications. Buyers acknowledge and agree that any such use of TI products which TI has not designated as military-grade is solely at the Buyer's risk, and that they are solely responsible for compliance with all legal and regulatory requirements in connection with such use.

TI products are neither designed nor intended for use in automotive applications or environments unless the specific TI products are designated by TI as compliant with ISO/TS 16949 requirements. Buyers acknowledge and agree that, if they use any non-designated products in automotive applications, TI will not be responsible for any failure to meet such requirements.

Following are URLs where you can obtain information on other Texas Instruments products and application solutions:

Products

Amplifiers	amplifier.ti.com
Data Converters	dataconverter.ti.com
DSP	dsp.ti.com
Clocks and Timers	www.ti.com/clocks
Interface	interface.ti.com
Logic	logic.ti.com
Power Mgmt	power.ti.com
Microcontrollers	microcontroller.ti.com
RFID	www.ti-rfid.com
RF/IF and ZigBee® Solutions	www.ti.com/lprf

Applications

Audio	www.ti.com/audio
Automotive	www.ti.com/automotive
Broadband	www.ti.com/broadband
Digital Control	www.ti.com/digitalcontrol
Medical	www.ti.com/medical
Military	www.ti.com/military
Optical Networking	www.ti.com/opticalnetwork
Security	www.ti.com/security
Telephony	www.ti.com/telephony
Video & Imaging	www.ti.com/video
Wireless	www.ti.com/wireless

Mailing Address: Texas Instruments, Post Office Box 655303, Dallas, Texas 75265
Copyright © 2008, Texas Instruments Incorporated